

Mounted mower conditioners with vertical folding

# FC 3115 D / FC 3115 R

Product information



[www.kuhn.com](http://www.kuhn.com)



KUHN has combined conditioner, LIFT-CONTROL suspension and vertical folding, for the first time in one machine, to create the new FC 3115 D and FC 3115 R front-mounted mower conditioners. These new models of mower conditioners have a working width of 3.10m. They are designed for forage farms and contractors, and can be used with a front mower to increase work output.

Featuring the exclusive LIFT-CONTROL suspension and NON-STOP safety system, these mower conditioners are great ground followers, capable of adapting to land conditions with ease. The machines are equipped with the latest generation OPTIDISC ELITE cutter bar with FAST-FIT quick release knife system, and of course, still no maintenance required.

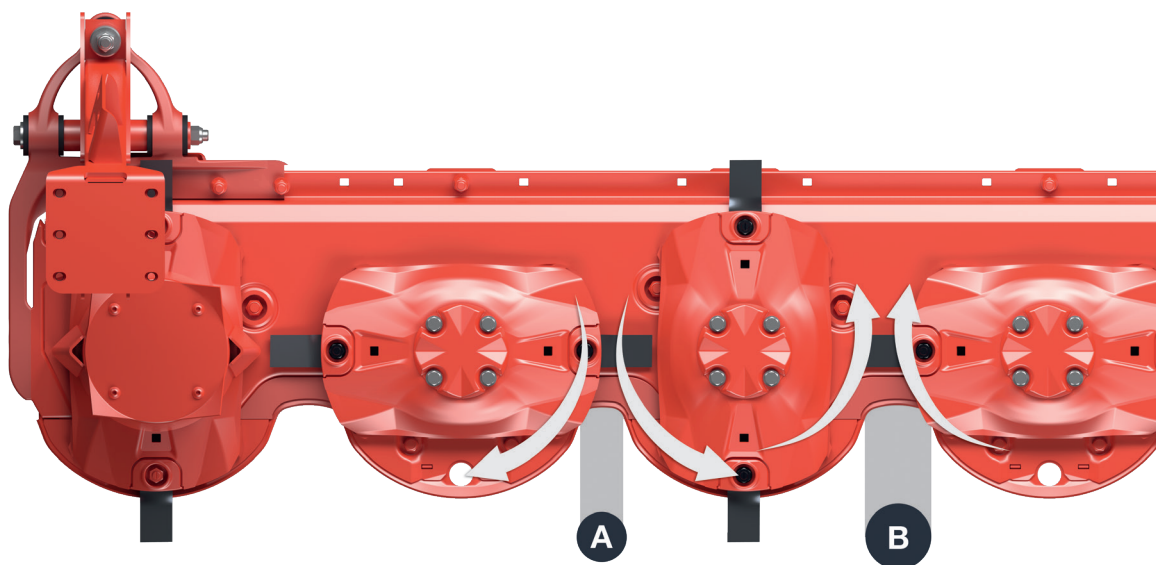


## OPTIDISC ELITE: THE OPTIMUM CUT!

The OPTIDISC cutter bar was developed in partnership with the people who use it; farmers. It combines cutting quality, reliability and operating comfort. It meets and surpasses the requirements of large farms and contractors:

- Lubricated for life
- Perfectly compatible with high-powered tractors.

### IMPECCABLE CUTTING QUALITY!

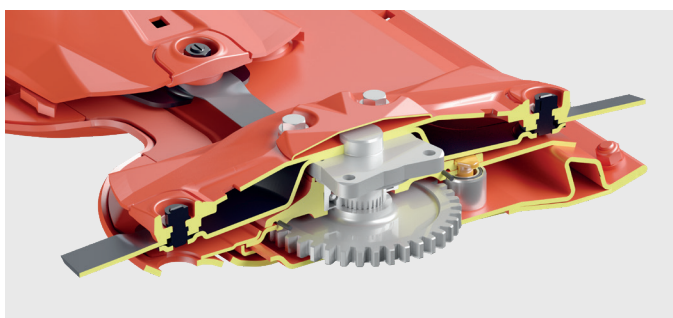


#### MINIMUM DISTANCE: A CLEAN CUT

The distance is reduced at the point where the discs diverge (**A**) to increase knife overlap. This results in a clean cut even when the grass is short or light.

#### MAXIMUM DISTANCE: EASY CROP PASSAGE

The distance is increased at the point where the discs converge (**B**) to provide more space for the crop to pass through. Cut crop is carried away quickly without hindering the work of the mower.



#### EXTREME RELIABILITY AND HOLD

Top-of-the-range components reinforce the most precious parts of the cutter bar:

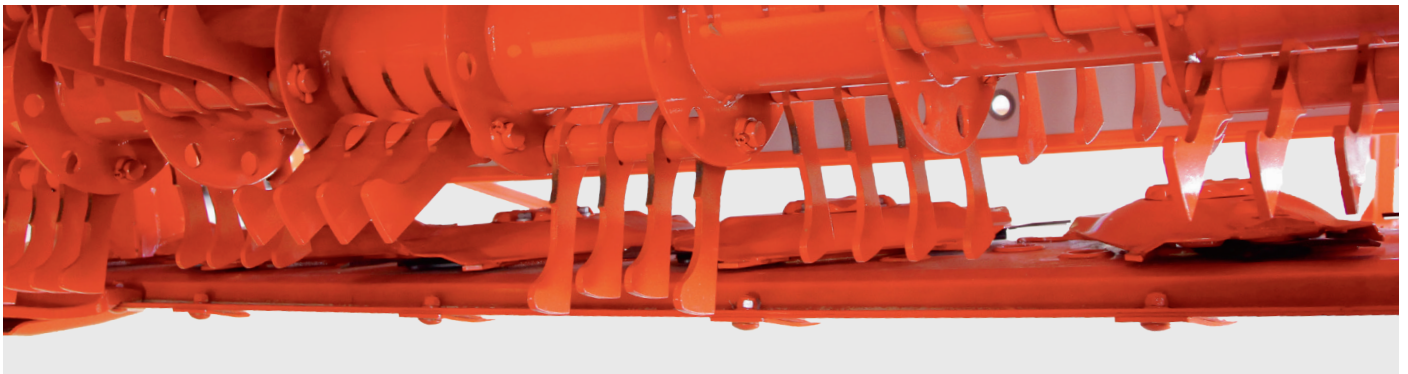
- Special disc-bearing station with a double row of angular contact ball bearings.
- Large-diameter gearwheels in high-precision forged steel with 3 teeth engaged.
- Discs with forged and treated cups across the surface area.
- Disc skids in treated steel with the option of adding a protective layer (screw on).
- PROTECTADRIVE safety.

#### FAST FIT: KNIVES COMPLETELY SECURED

Mowers are equipped, as standard, with the FAST-FIT quick-release knife system. A powerful leaf spring provides constant pressure to the knife holder for extra safety. It takes just a few moments to replace knives. For higher cutting quality and a longer life, the knives rotate freely 360°.

# CUTTING AND CONDITIONING: DOUBLE QUALITY

Fast mowing, efficient and easily adaptable conditioning, as well as wide spreading are the ingredients to improve work output and forage quality.



## ROTOR WITH DIGIDRY PIVOTING STEEL FINGERS

The **FC 3115 D** is equipped with a DIGIDRY rotor with pivoting fingers in steel which is perfectly adapted to difficult conditions. With a diameter of 540 mm, this rotor ensures exceptional conditioning:

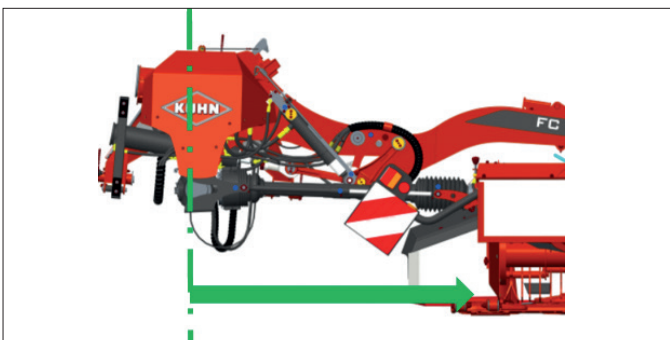
- Uniform dry-out over a large width, even in difficult conditions.
- Reduced power requirement for heavy or long forage.
- Pivoting fingers that prevent picking up foreign bodies.
- Forage delivery into a swath or wide-spreading across the whole working width.

## SQUAREFLEX ROLLERS IN POLYURETHANE

The **FC 3115 R** is equipped with a conditioner that has a special-profile SQUAREFLEX roller. This roller is ideal for delicate forage such as alfalfa. It is also perfectly adapted to heavy and long forage like meslin and ryegrass thanks to its diameter of 24 cm and double roller-drive system. The crop is taken through the rollers smoothly and evacuated to the rear.



# THE ALL-NEW COMBINATION



## LIFT-CONTROL SUSPENSION

LIFT-CONTROL suspension combines a powerful and constant lift system, to protect the sward, with an effective safety system. The machine has exclusive kinetics so that when it comes into contact with an obstacle, it shifts backwards and lifts at the same time. The machine passes over the obstacle and the mechanical parts of the mowing unit are protected. The KUH N plus: The pivot point is offset to the left which contributes to protecting the working parts effectively, especially the first discs.



## VERTICAL FOLDING

The mower unit folds 126° making it highly compact for transport with optimum weight balance on the tractor's rear wheels.

Technical specifications		
	FC 3115 D	FC 3115 R
Working width (m)	3.10	
Transport height (m)	3.43	
Cutter bar (m)	OPTIDISC ELITE	
Number of discs with safety skids made of hardened steel	7	
Disc skid wear plate	2 as standard	
Knife attachment	FAST-FIT	
Mowing height with standard skids (mm)	35 to 65	
Drive train protection	PROTECTADRIVE safety	
Ground adaptation	Pendulum articulation	
Suspension	Hydro-pneumatic LIFT-CONTROL	
Safety	Non-Stop safety	
Conditioning system	Pivoting steel fingers – Adjustable conditioning plate with 5-position lever	2 SQUAREFLEX rollers in polyurethane, with double and synchronised drive
Conditioning speed (min <sup>-1</sup> )	755 or 1,000, adjustable by selection lever	780
Conditioner drive	Gearbox with anti-blockage safety	Housing and gearwheels
Average swath width (min/max) (m)	1.45 / 2.10	
Linkage	3-point – Cat 3N	
Setting to transport position	126° folding	
Machine storage	Flat or vertical with extra parking stand available as an option	
PTO speed (min <sup>-1</sup> )	1,000	
Transmission safety	As standard	
Free wheel	Integrated in the side gearbox	
Min. PTO power requirement (kW/hp)	50 / 68	
Tractor hydraulic requirements	1 DA and SA	
Lighting and signalling - Rear	As standard	
Weight (kg)	1,475	1,530

Optional equipment: disc-skid wear plate, heavy-duty plates for the inside of the cutter bar, raised skid shoes for a cutting height of up to 85 mm. Disc lifters, support and counterweight.

920596 GB 01.2020



**KUHN SAS**

4, impasse des Fabriques - BP 50060 - F-67706 Saverne CEDEX

Information given in this document is only for information purposes and is non-contractual. Our machines are in compliance with regulations in force in the country of delivery. In our literature, and for improved illustration of certain details, some safety devices may not be in operating position. When operating these machines, these devices must be in position in accordance with the requirements indicated in the operator's manuals and assembly manuals. Respect the tractor gross vehicle weight rating, its lift capacity and maximum load per axle and tyres. The tractor front axle load must always comply with the regulations of the country of delivery (In Europe, it must reach minimum 20% of the tractor net weight). We reserve the right to change any designs, specifications or materials listed without further notice. Machines and equipment in this document can be covered by at least one patent and/or registered design. Trademarks cited in this document may be registered in one or several countries.

**www.kuhn.com**

